

Ryme

PIT JACKS

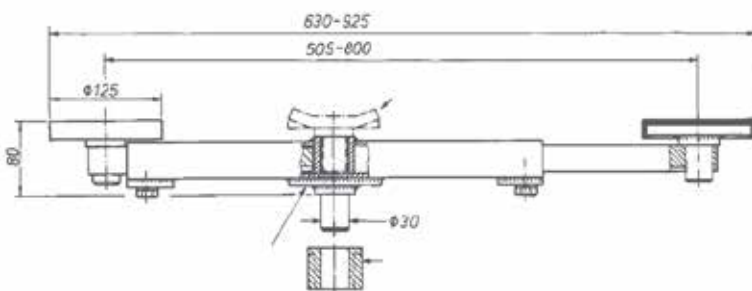
Hydraulic Pit Jack with manual operation

- 2 phases Manual hydraulic system for quick lift and load lifting
- Manual hydraulic operation
- Rod polished and coated with hard chrome
- Adjustable chassis to 1,010 mm.
- Easy operation through ergonomic adaptation of the various elements of operation

loading capacity
2 or 4 tons

Models

Model	Load capacity	Stroke
HK 2/450	2 t	450 mm
HK 4/450	4 t	450 mm



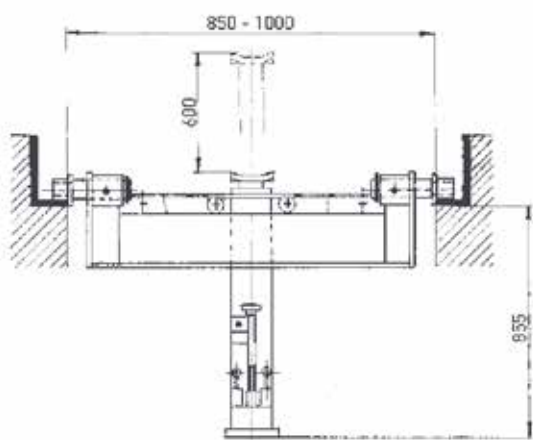
Hydraulic Pit Jack with manual operation

- 2 phases Manual hydraulic system for quick lift and load lifting
- Manual hydraulic operation
- Rod polished and coated with hard chrome
- Adjustable chassis to 1,010 mm.
- Easy operation through ergonomic adaptation of the various elements of operation

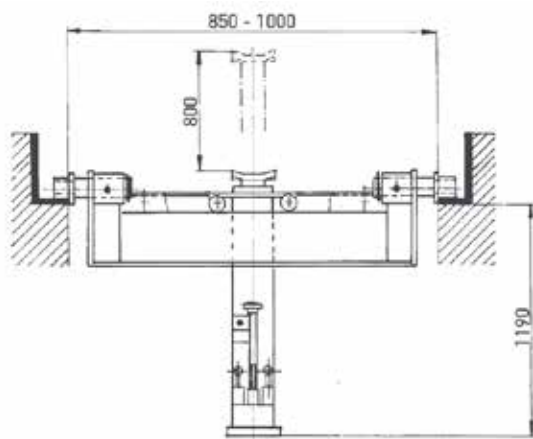
Loading capacity from 6.5 to 14.5 tons.

Models

Model	Load capacity	Stroke
HK 6/600	6,5 t	600 mm
HK 10/600	11 t	600 mm
HK 14/600	14,5 t	600 mm



Model	Load capacity	Stroke
HK 6/800	6,5 t	800 mm
HK 10/800	11 t	800 mm
HK 14/800	14,5 t	800 mm



Due to the continuous evolution of our products, the technical and design characteristics may be subject to change without notice.

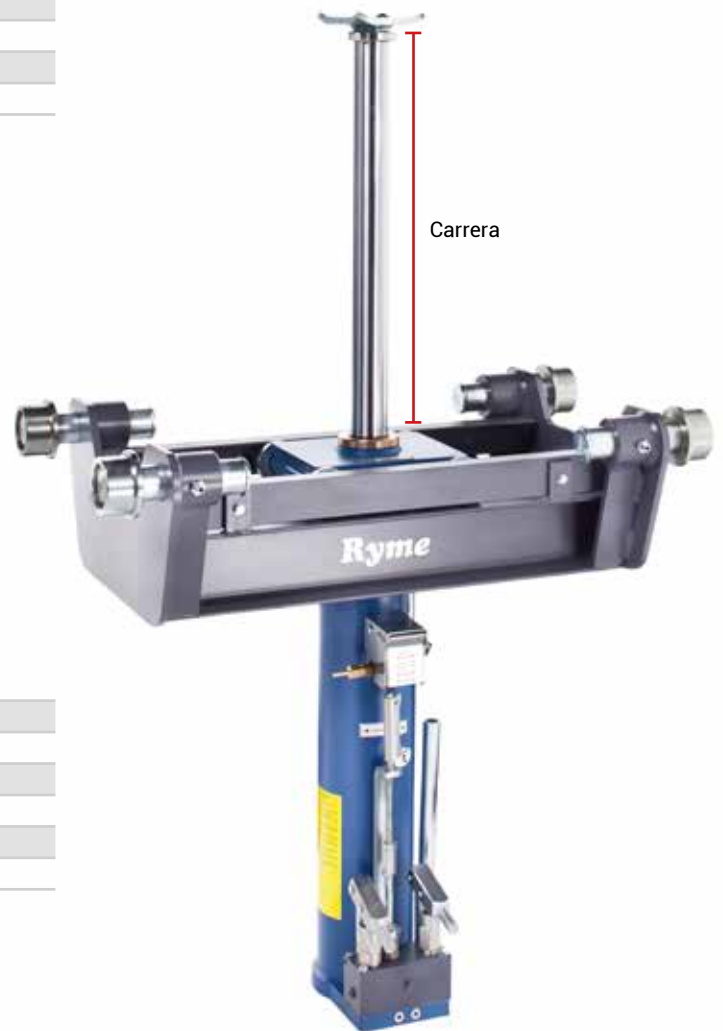
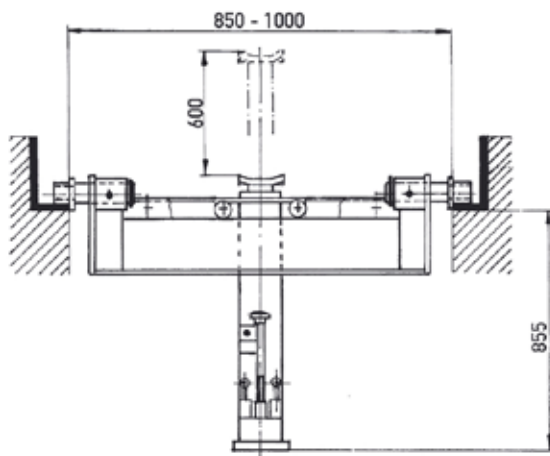
Hydraulic pneumatic Pit Jack

- Anticorrosive system.
- Pneumatic operation for fast lift and hydraulic struts return.
- Adjustable frame.
- Needle bearings in elevator and frame
- Models with 800 mm. of stroke are suitable for dismantling gearboxes.
- 2 phases Manual hydraulic system for quick lift and load lifting
- Manual hydraulic operation
- Rod polished and coated with hard chrome
- Easy operation through ergonomic adaptation of the various elements of operation

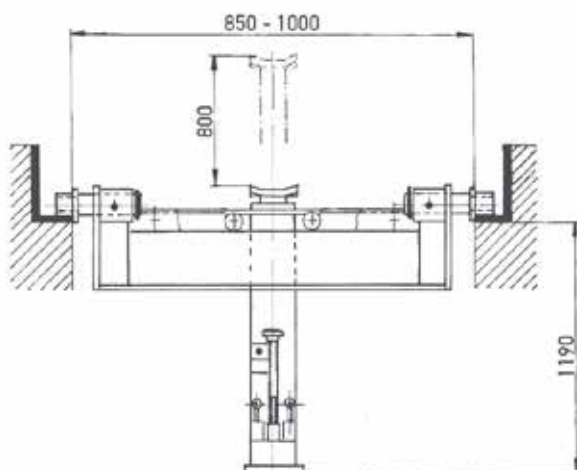
Loading capacity from 6.5 to 20 tons.

Modelos

Model	Load capacity	Stroke
HKS 6/600	6,5 t	600 mm
HKS 10/600	11 t	600 mm
HKS 14/600	14 t	600 mm
HKS 16/600	16 t	600 mm
HKS 20/600	20 t	600 mm



Model	Load capacity	Stroke
HKS 6/800	6,5 t	800 mm
HKS 10/800	11 t	800 mm
HKS 14/800	14 t	800 mm
HKS 16/800	16 t	800 mm
HKS 20/800	20 t	800 mm



Due to the continuous evolution of our products, the technical and design characteristics may be subject to change without notice.

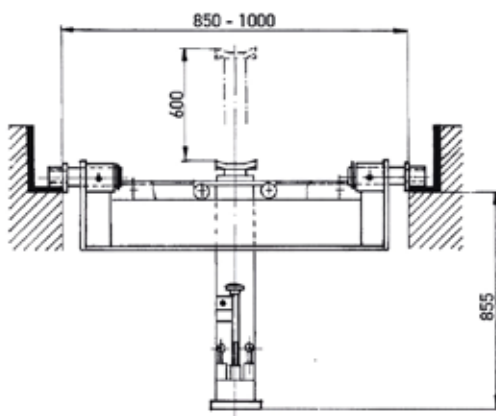
Hydraulic Pneumatic Pit Jack with pneumatic motor

- Pneumatic motor for precise load lifting; It has emergency manual pump
- Quick lift to load supporting and hydraulic forced return struts with anticorrosive system
- Fully hydraulic operation
- Piston rod and pump piston rectified with hard chrome tailored
- All piping and control elements made of steel or aluminum, encapsulated valves
- Roller with needle roller bearings in elevator and frame
- Optionally rigid or adjustable frame between 850 and 1000 mm, without charge *
- Simple use thanks to the ergonomic layout of the controls

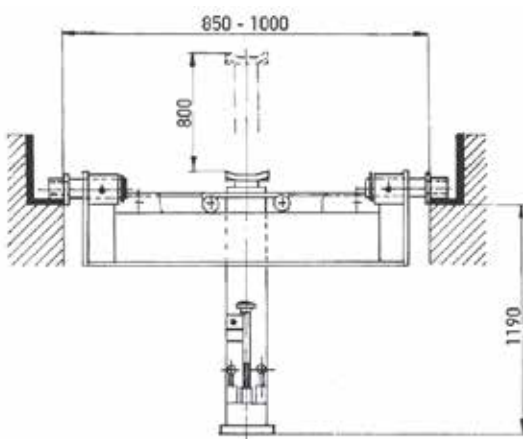
Loading capacity from 6.5 to 20 tons.

Modelos

Model	Load capacity	Stroke
HKS LM 6/600	6,5 t	600 mm
HKS LM 10/600	11 t	600 mm
HKS LM 14/600	14 t	600 mm
HKS LM 16/600	16 t	600 mm
HKS LM 20/600	20 t	600 mm



Model	Load capacity	Stroke
HKS LM 6/800	6,5 t	800 mm
HKS LM 10/800	11 t	800 mm
HKS LM 14/800	14 t	800 mm
HKS LM 16/800	16 t	800 mm
HKS LM 20/800	20 t	800 mm



Due to the continuous evolution of our products, the technical and design characteristics may be subject to change without notice.

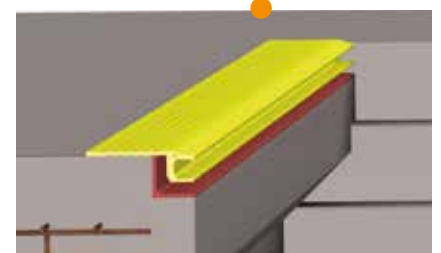
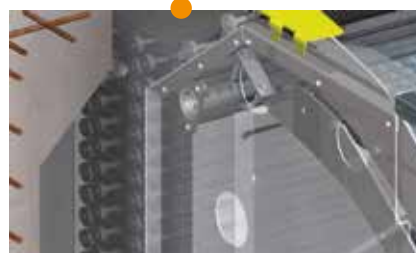
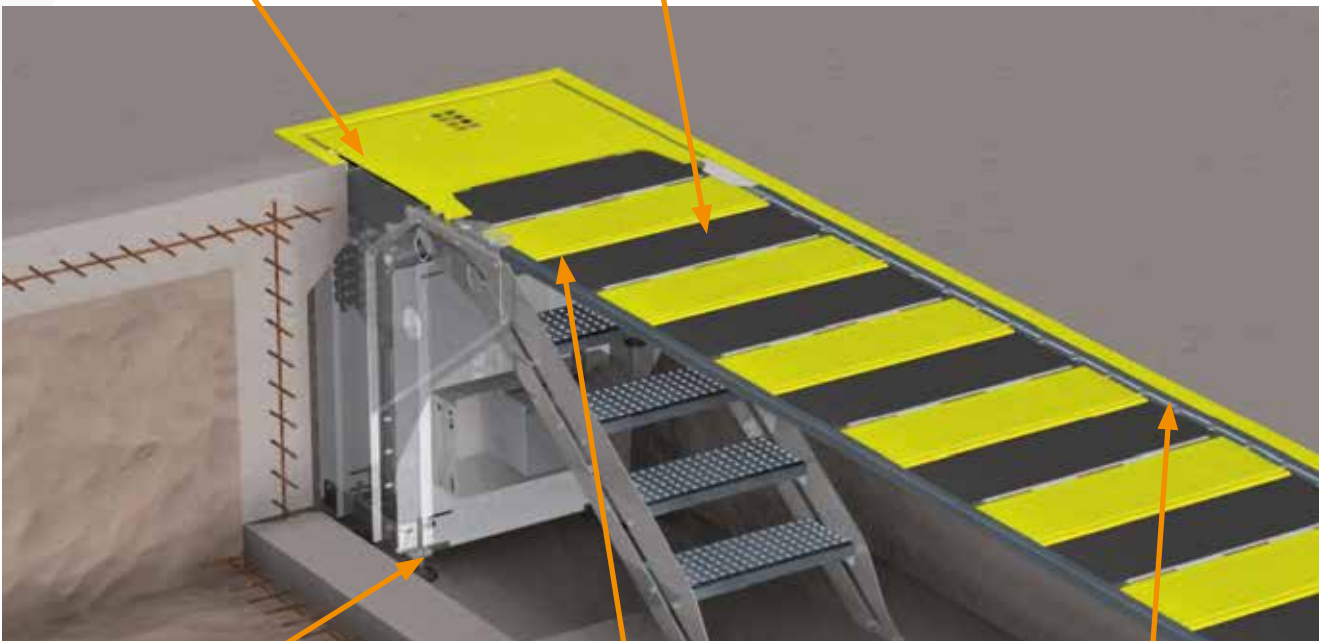
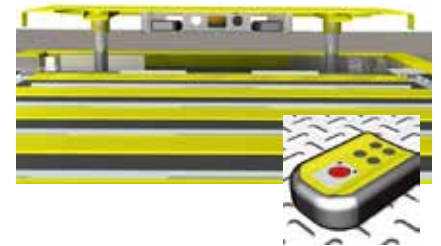
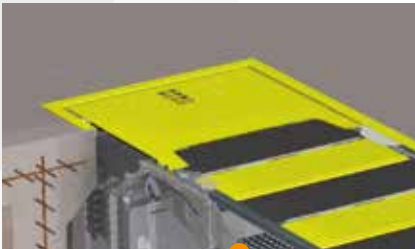
Modular System

- Prevents accidents and falls of people
- Compatible with 100% of the pits on the market
- Tandem installation available
- Length: 12 - 17 m (up to 34 m in tandem)
- Width: 650 - 1400 mm
- Reduced pit size (650 mm)
- Integrated approved stairs
- Integrated modular concept (ready-to-install)
- Prefabricated and factory adjusted system
- Lateral openings for air circulation
- Load capacity 500 kg/m² (see instructions and certificate of conformity)
- Anti-corrosion treatment
- Low maintenance

- Easy opening
- Lock and unlock

- Pneumatic engine
- Reversible system

- Warning light
- Radio control
- Anti-trapping sensor



- Adjustable Leveling Foot

- Approved staircase system
- Lateral ventilation
- Patented mechanism

- Universal profiles



Due to the continuous evolution of our products, the technical and design characteristics may be subject to change without notice.

Technical Data

Power requirements	6-8 bar (filter/dry) 230 V/50 HZ - 6A 110 V/60Hz - 6 A
According to	TüV + CARSAT R468 - R469 Conforms to Directive 98/37/EC and 2006/42/EC
Applications	Light vehicles, heavy vehicles, trains

Installation is quick and very simple



Other security systems available



Basic System

- Prevents falls of people
- Compatible with any type of pit
- Resistant to working environments and even fire
- Anti-corrosion treatment
- Quick and easy installation
- Low maintenance

Air System

- Compatible with any type of pit
- Opening and closing with the presence of the vehicle
- Up to 100 meters in length
- Open / Close in 2 minutes regardless of the length of the section
- Possibility of independent opening in several modules

Due to the continuous evolution of our products, the technical and design characteristics may be subject to change without notice.

Safety sensors for working in inspection pits made of yellow anodized aluminium profiles

- Easy installation regardless of the width of the pit
- Easy to fix to the pit wall thanks to its modular design
- Outside the safety detection zone, the pit can be used to its full extent
- Thanks to their small dimensions they do not reduce the working space

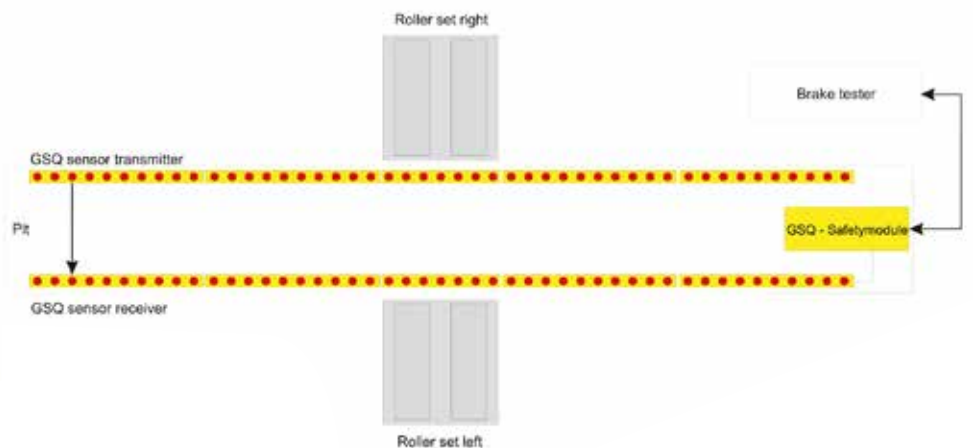
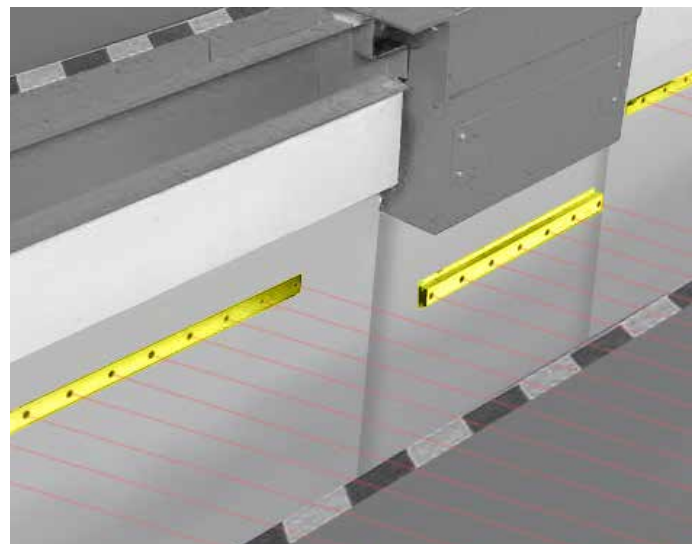
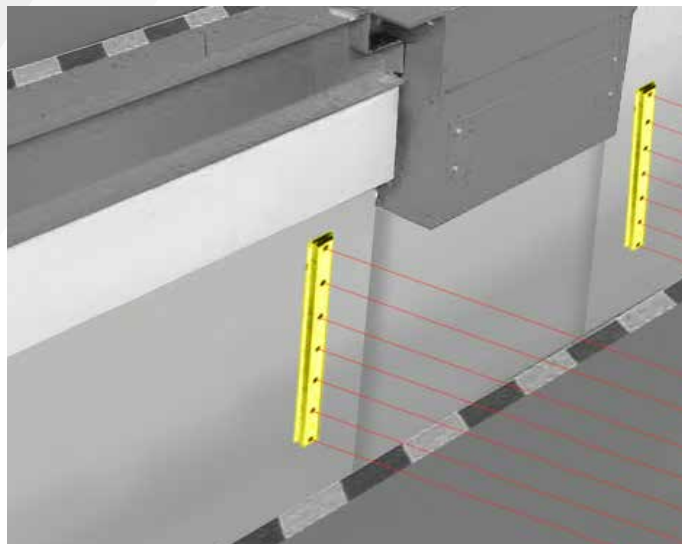
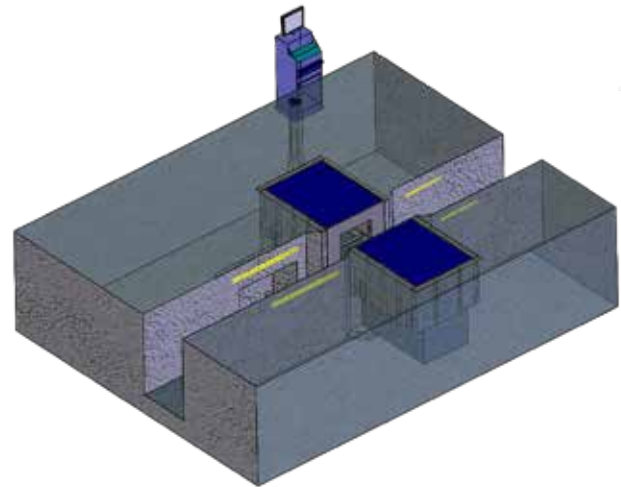
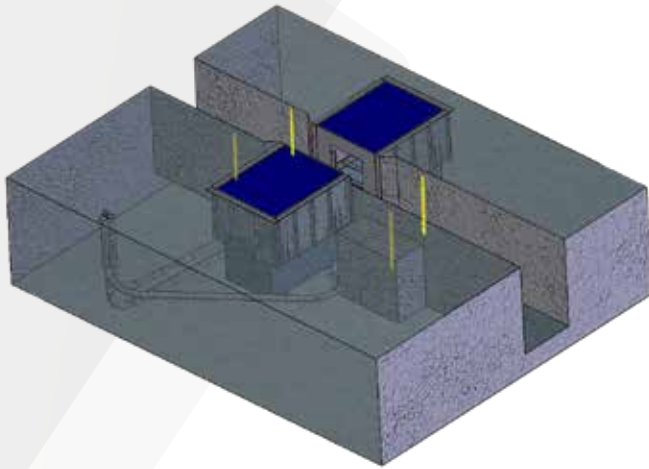
Short module: 25 mm x 754 mm
 Long module: 25 mm x 1104 mm
 Distance between modules: 120 mm

GSQ-SAFETYMODULE



The sensor modules are insensitive to other light sources and external heat sources. Long-term safe use under workshop conditions is demonstrated.

The low height of the aluminium profile of only 25 mm ensures a working area without special restrictions. The protection level is IP67



Due to the continuous evolution of our products, the technical and design characteristics may be subject to change without notice.

Service pits according to UNI 9721 standard

The prefabricated pit is equipped with:

- Interior lighting
- Heavy gas extraction system
- Main access staircase on one side
- Emergency plates in the main corridor.

Prefabricated service pits are modular maintenance units that are supplied complete with all the elements necessary for their operation: lighting, oil drainage, brake test bench, etc. and are delivered to the installation site.



The pit is equipped with the following:

- Support for lifting units
- Lighting accessories
- Built-in electrical installation
- Fittings for various installations
- Compressed air installation
- Non-slip floor
- Built-in drain
- Large, well-lit work area

The vehicle inspection pit has been manufactured in accordance with UNI 9721 standards, is made entirely of self-supporting steel and does not require concrete filling on the sides.

The dimensions of the pit are approved and certified, establishing a working height of no less than 1.7/1.8 metres and allowing the wheel set to be viewed with the aid of test benches installed inside the pit.

The width is 0.75/0.8 metres (pit opening) and the minimum useful length is 6 metres. We design and build inspection pits of various shapes and sizes in strict compliance with the requirements of UNI 9721.



Supplied accessories

- Special homologated stairs
- Aluminium pipes for compressed air
- Recess for pipeline reels and water pump, etc.
- Electrical installation
- 58 W approved pit lighting system.
- Electrical panel 230/400 V CE
- Provision of holes for the system of elimination of harmful gases according to the
- L-rails at the bottom for optional 15t lifting equipment or accessories
- H-rails at the top for optional 15t lifting equipment or accessories
- Special light grey corrosion-resistant resin according to standard.
- Steel floor with anti-slip almond design
- Corrosion resistant black insulating paint on the outside
- Certification Register



Operator's platform lift



Oil pump



ATEX Switchboard



Pneumatic Water Suction Pump



Movable lid, with load support, capacity 30t, L= (0.5-1m)



Compressed air installation



ATEX special lighting



Stairs

Due to the continuous evolution of our products, the technical and design characteristics may be subject to change without notice.

Lightweight covers

Aluminium pit cover with direct access

The pit cover makes the work area more comfortable, easily accessible and safer, and significantly reduces heating costs. This cover has a maximum axial load of 500 N/m². Installation is quick and easy, and the system does not require any electrical connections.

The manually operated cover can be quickly closed, providing a working environment that complies with applicable safety standards. The aluminium slats can be quickly and safely removed from the box on a skid system.

Cover Model 1

Passage pit, axial load capacity up to 500kg/m²



Cover Model 2

Aluminium cover with manual operation, without motor. Load capacity 1200 kg/m²



Cover Model 3

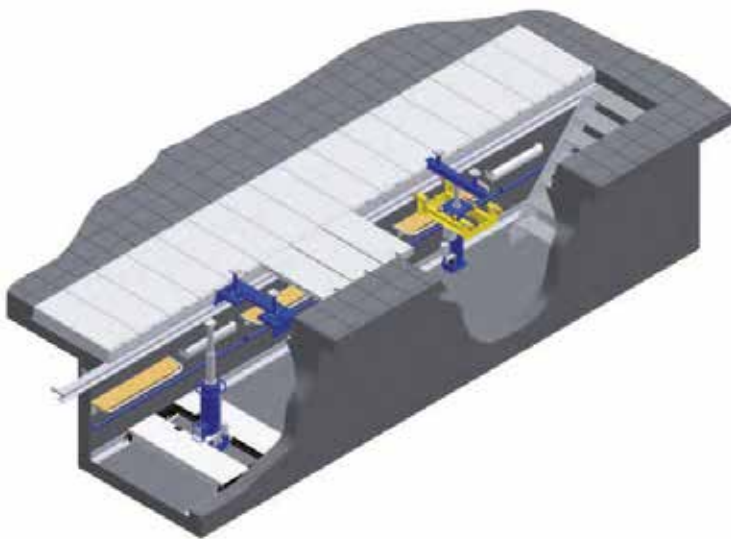
Motorized steel version. Load capacity 1500 and 3000 kg/m²

Heavy-duty truck covers

Cover Model 4
Underfloor sliding deck, 10 ton load capacity



Cover Model 5
Access cover, load capacity over 10 tons



Cover Model 6
Drive cover, load capacity over 10 tons, with Pneu-
matics pistons



Due to the continuous evolution of our products, the technical and design characteristics may be subject to change without notice.